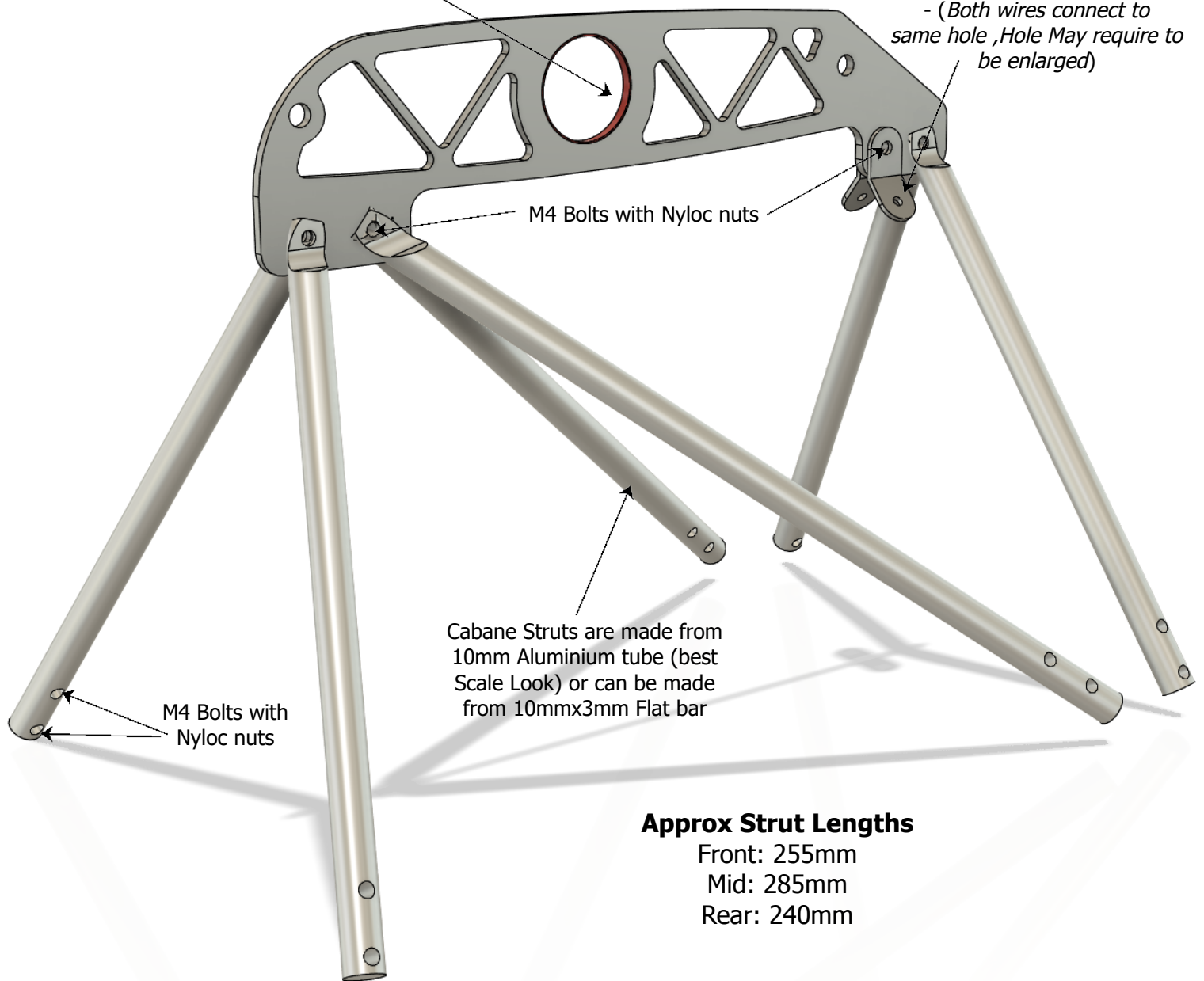




## 41% Ultimate 10-300 Top Strut Assembly

Tube bushing made from offcut of wing  
tube socket to act as a bushing

Lower wing Flying wire Bracket  
- (Both wires connect to  
same hole ,Hole May require to  
be enlarged)



M4 Bolts with Nyloc nuts

Cabane Struts are made from  
10mm Aluminium tube (best  
Scale Look) or can be made  
from 10mmx3mm Flat bar

M4 Bolts with  
Nyloc nuts

### Approx Strut Lengths

Front: 255mm

Mid: 285mm

Rear: 240mm