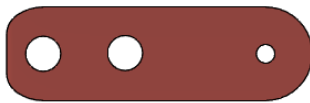


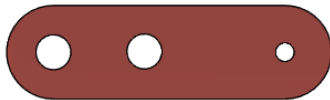


28% Ultimate 10-300 Flying Wire Guide

Bracket Identification



4x Fuselage Mounts - (Affix to F2 & F4)



8x Wing Wire Mounts



2x Top Wing Mount Brackets



12x Tailplane Brackets



1x Tailplane Lower Bracket

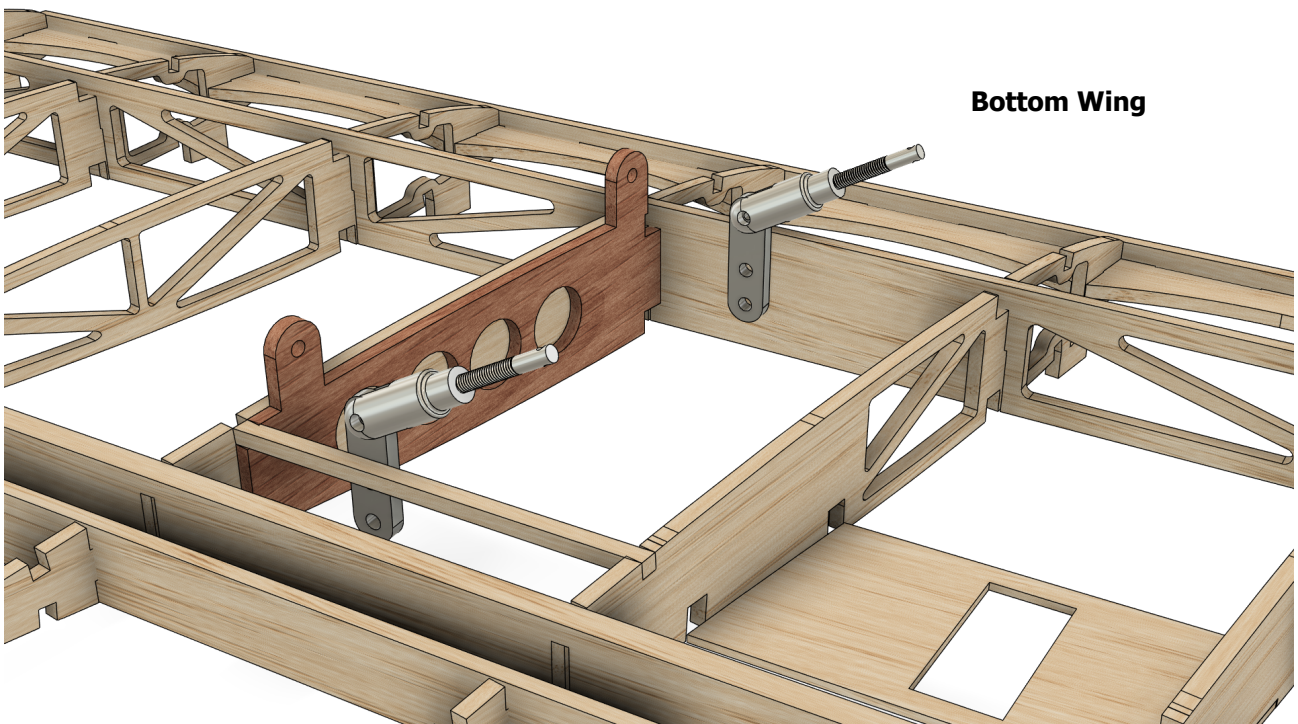
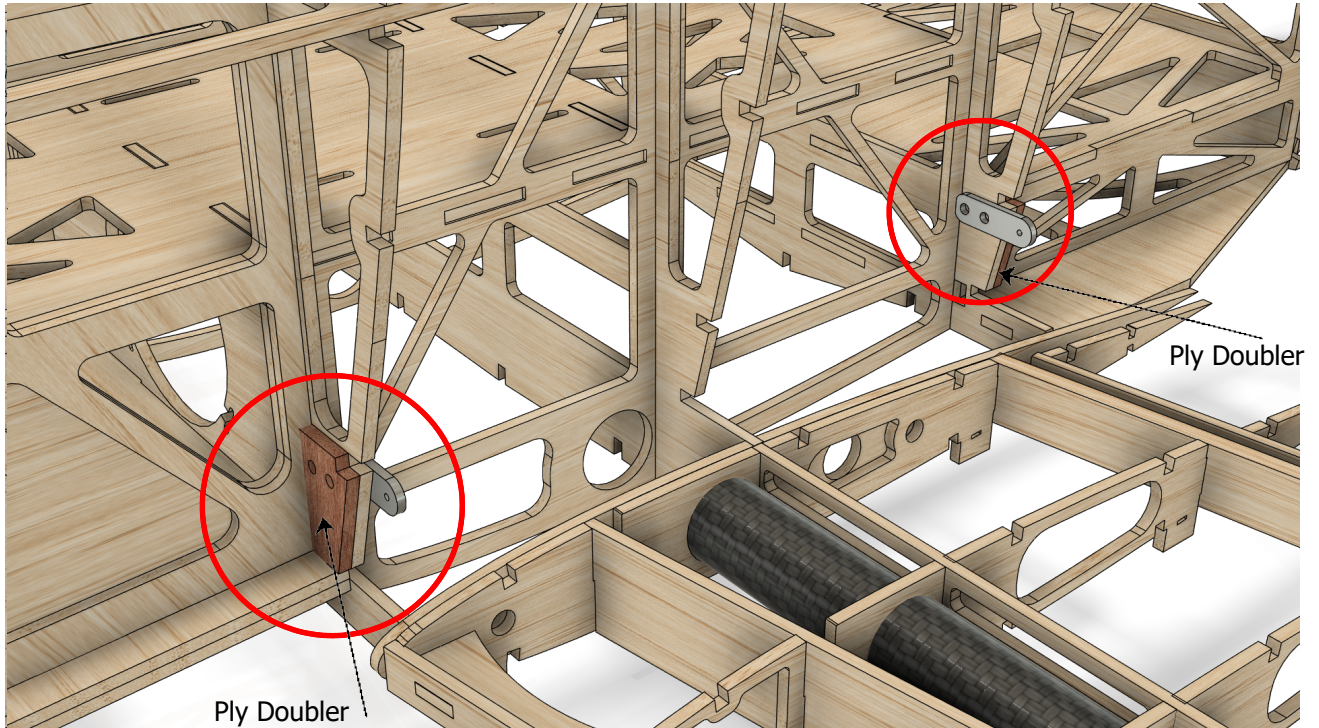
Notes:

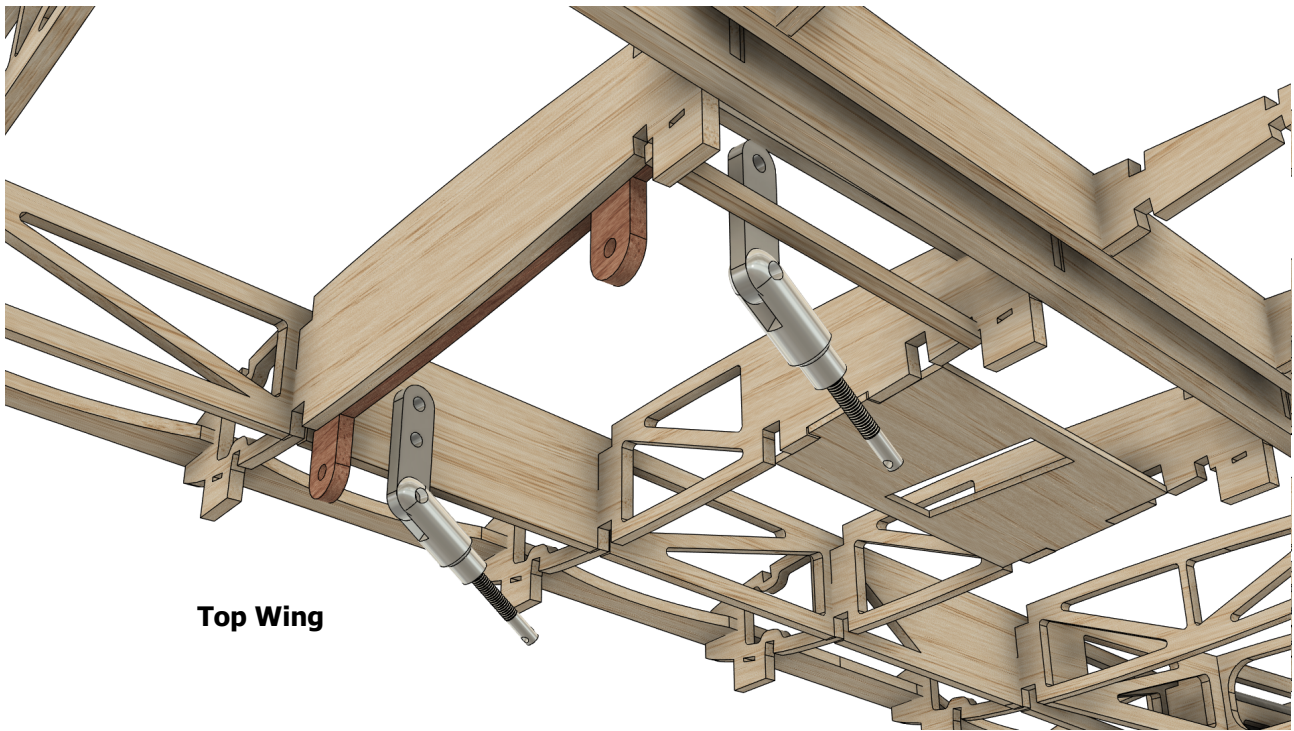
1. Wing and Tail Wires are designed to release from the Surface and leave the wires on the Fuselage for easier storing and setup.
2. Main wing wires are setup using 1.0mm Diameter Nylon coated Stainless steel wire & The Tailplane can use 0.8mm -1.0mm diameter.
3. Main wings use a Quick release pin clevis on the surface end for quick field setup & the Tail planes uses M3 clevises.
4. Tail Brackets are fixed with M3 Cap screws with Nyloc Nuts and the Main Wings uses M3/M4 with Nyloc Nuts. (Stainless Bolts recommended)
5. Brackets Will require to be bent to allow best wire geometry, Best done in a vice with soft jaws, Also it is good practice to ensure the edges of the 1.6mm holes that receive the wire are smooth and have no sharp edges.
6. Please use some Epoxy on the Wing Brackets and bolts when installing to ensure secure (Due to not being accessible after covering this is worthwhile)
7. All parts numbers listed below are listed in your "items required to complete" document.

Finally any questions please reach out to us and we will be glad to assist.

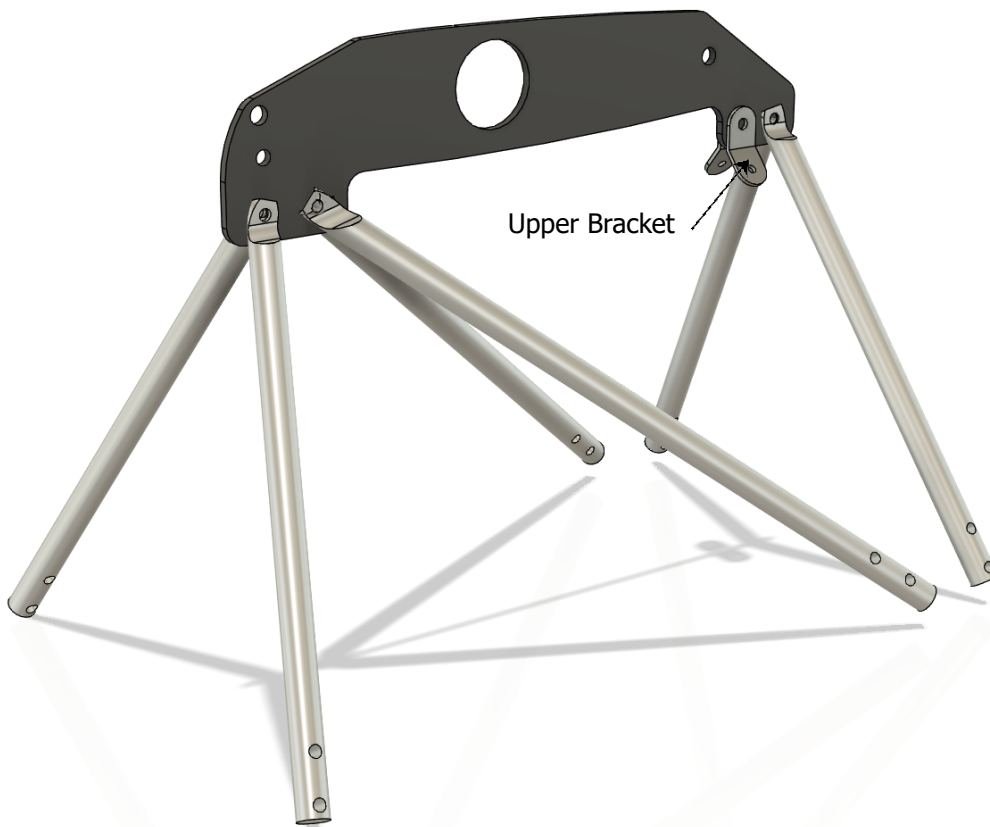
Main Wing Flying Wire Setup

1. First Step is to install the **8x** Main Wing Brackets as Located on the Plans,
2. Next Fit the **4x** Fuselage Brackets to formers F2 & F4 , Be sure to fit the Ply Doublers at this time.
3. Finally the **2x** Upper Brackets located on the rear of the Top wing mount.





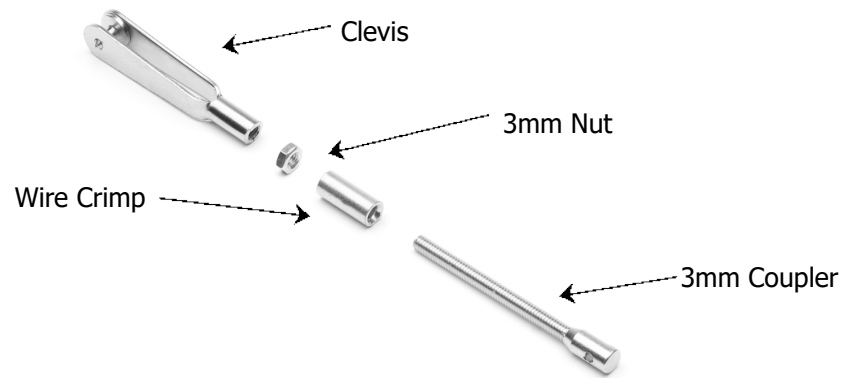
Top Wing



Upper Bracket

Main Wing Flying Wire Setup (Cont.)

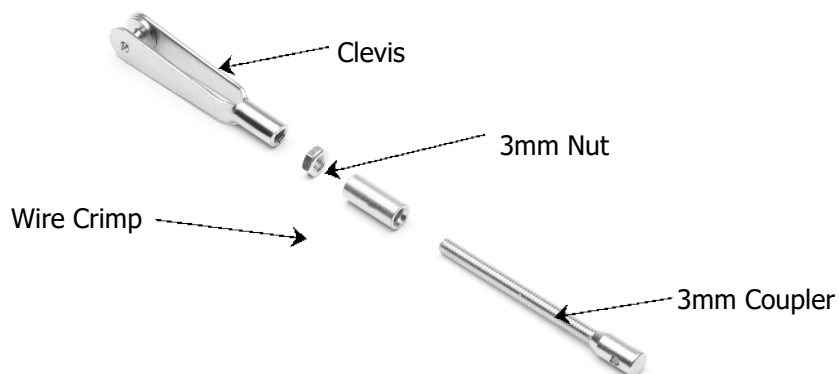
1. Next we prepare the Wire assembly's, There is **8x** Required, These are what will connect & Disconnect to the wing brackets of the model.
2. Assemble the **8x** Rigging sets as below (Part#KAV6254/10)
3. Once Assembled its time to connect each Assembly to each of the 8 wing brackets
4. Now determine your wire length and cut to suit with some excess
5. Fit each wire length, with the Fuselage side of the wire being crimped to the fuselage brackets and crimp to the Coupler of the quick release clevis
6. Adjust tension as required.

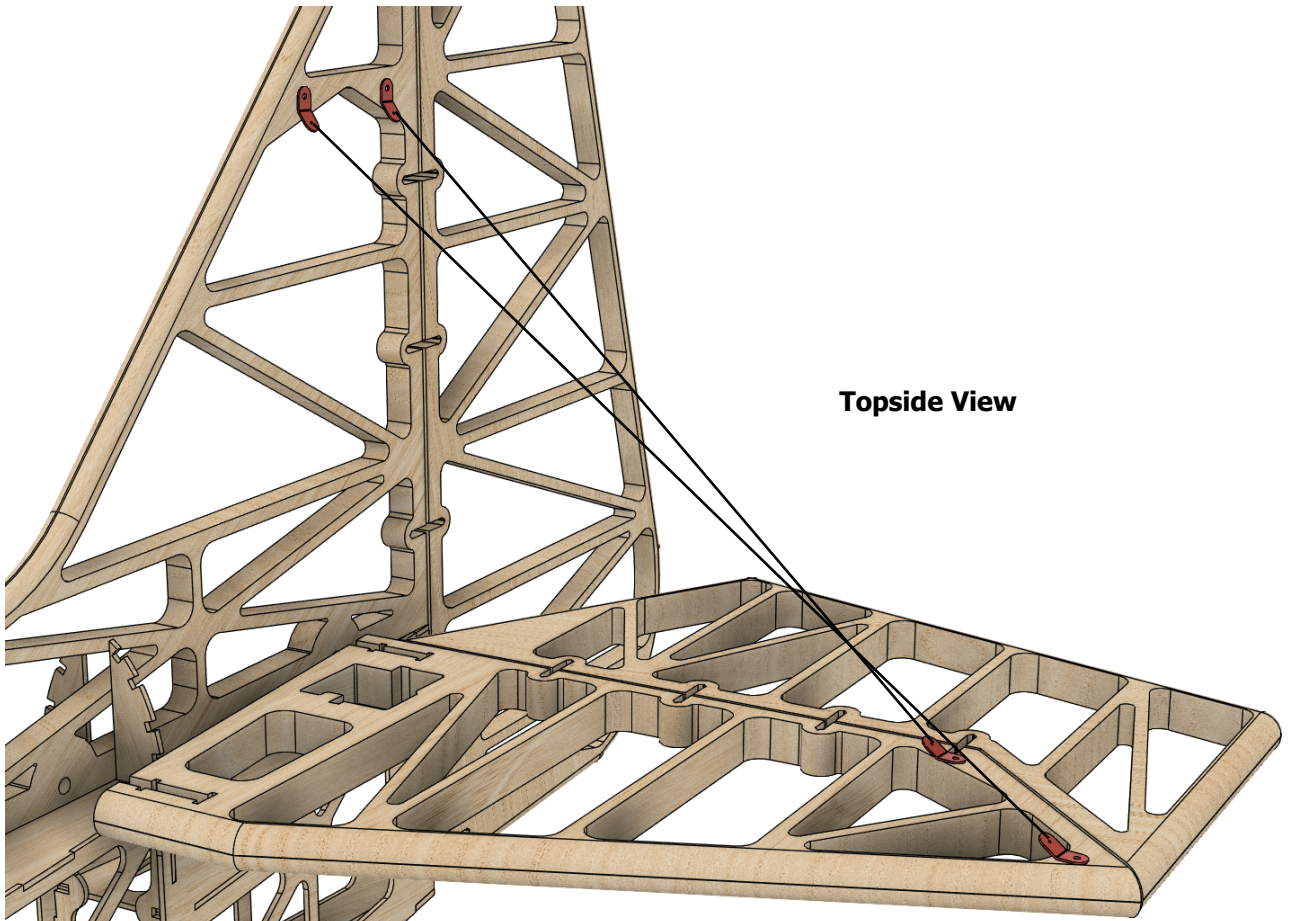


Tailplane Rigging

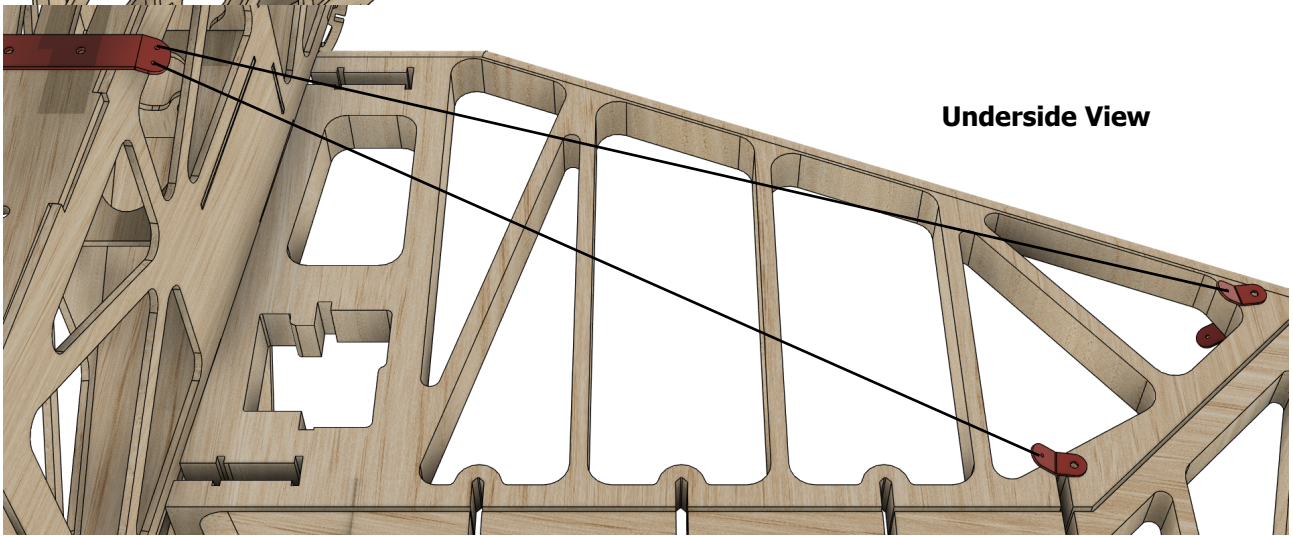
1. First step is to bend all the Oval brackets in the centre to around 40 degrees, Once done fit to the surface using M3 bolts and Nyloc nuts to the Vertical and Horizontal Stabilizers as indicated in the build manual - Followed by the Lower tail bracket the bolts to the Tail gear plate.
2. Then connect and crimp the wires to the Vertical fin and the lower tail brackets
3. Assemble the **8x** Rigging sets as below (Part#KAV6254/10)
4. Finally Add the Wire from the Bracket to the Couplers and fix with the Crimp, Now they are ready to fit to the Surface and adjust the tension as required.

Note: You can elect to use Clevis assembly's at each end of the flying wire if desired, However it is not required.





Topside View



Underside View