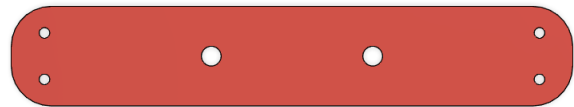




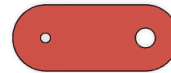
## 55% Pitts Challenger Flying Wire Guide

### Bracket Identification

**1x Tailplane Lower Bracket**



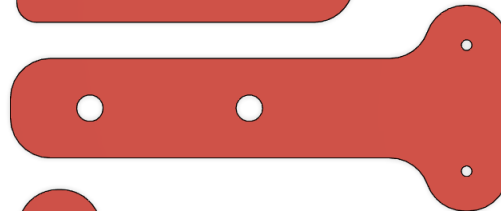
**12x Tailplane Brackets**



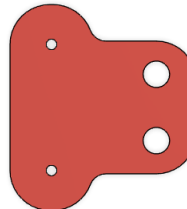
**4x Wing Mounts**



**2x Fuselage Mounts**



**2x Top Wing Mounts**



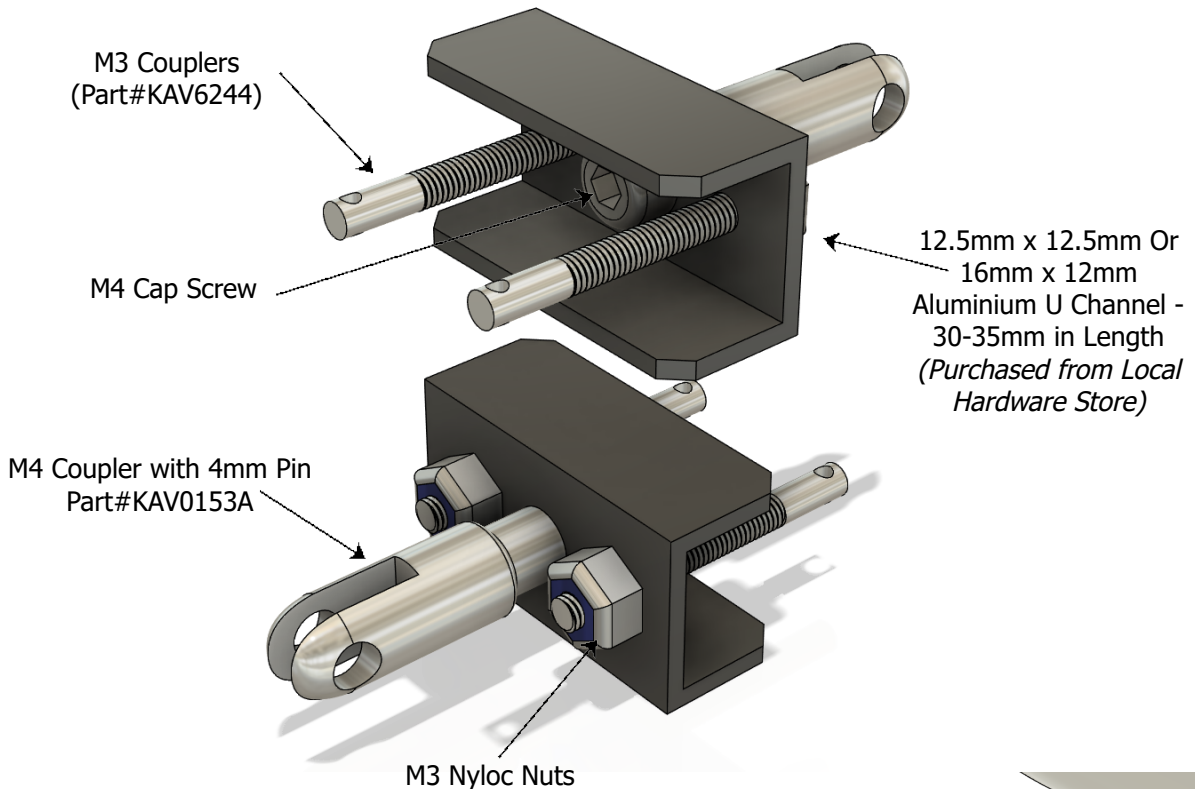
### Notes:

1. Wing and Tail Wires are designed to release from the Surface and leave the wires on the Fuselage for easier storing and setup.
2. Main wing wires are setup using 1.5-1.6mm Diameter Nylon coated Stainless steel wire & The Tailplane can use upto 1.5mm however 1.2-1.3 mm is perfectly sufficient and what we use.
3. Main wings use a Quick release pin system with Dual wires for quick field setup & the Tail planes uses M3 clevises.
4. Tail Brackets are fixed with M3 Cap screws with Nyloc Nuts and the Main Wings uses M4 with Nyloc Nuts. (Stainless Bolts recommended)
5. Brackets Will require to be bent to allow best wire geometry, Best done in a vice with soft jaws, Also it is good practice to ensure the edges of the 1.6mm holes that receive the wire are smooth and have no sharp edges.
6. Please use some Epoxy on the Wing Brackets and bolts when installing to ensure secure (Due to not being accessible after covering this is worthwhile)
7. All parts numbers listed below are listed in your "items required to complete" document.

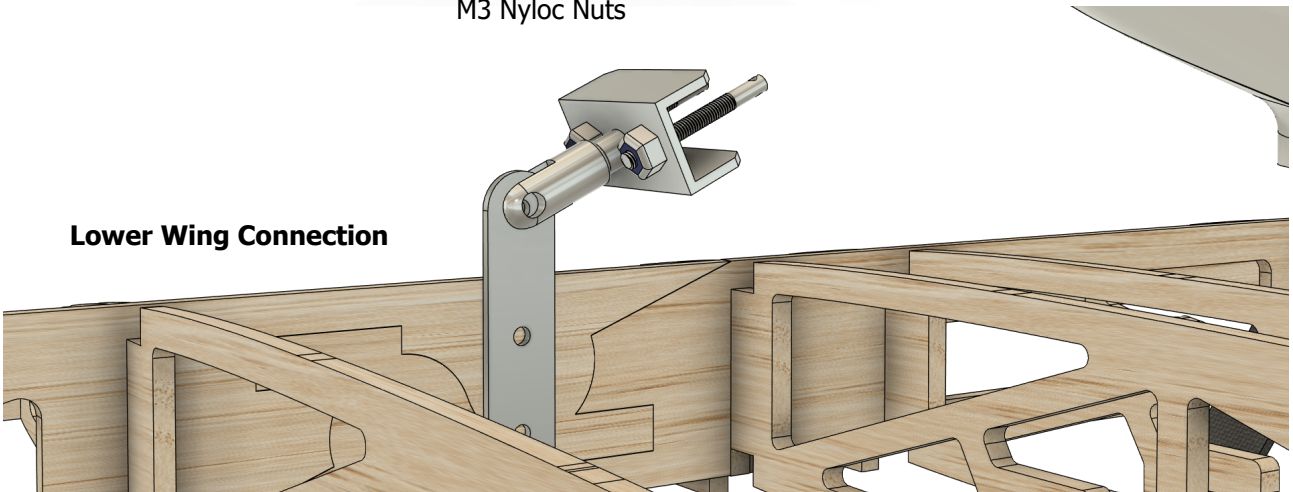
Finally any questions please reach out to us and we will be glad to assist.

## Main Wing Flying Wire Setup

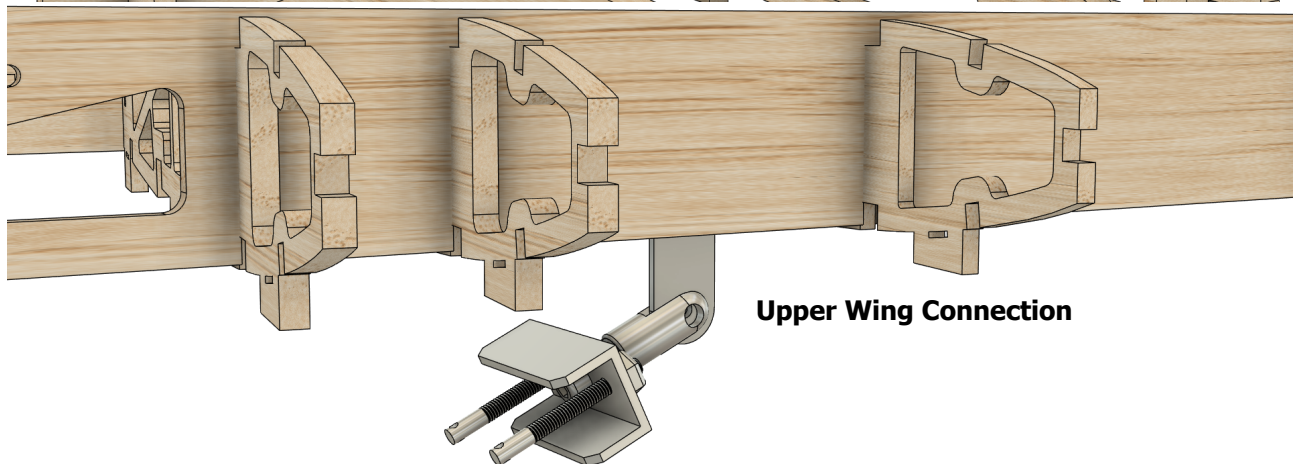
1. First Step is to install the **4x** Main Wing Brackets as Located on the Plans, Followed by the **2x** Fuselage Brackets located behind the Main gear and Finally the **2x** Upper ones located on the rear of the Top wing mount.
2. Next we prepare the Quick release assembly's, There is **4x** Required, These are what will connect & Disconnect to the wing brackets of the model.



Lower Wing Connection

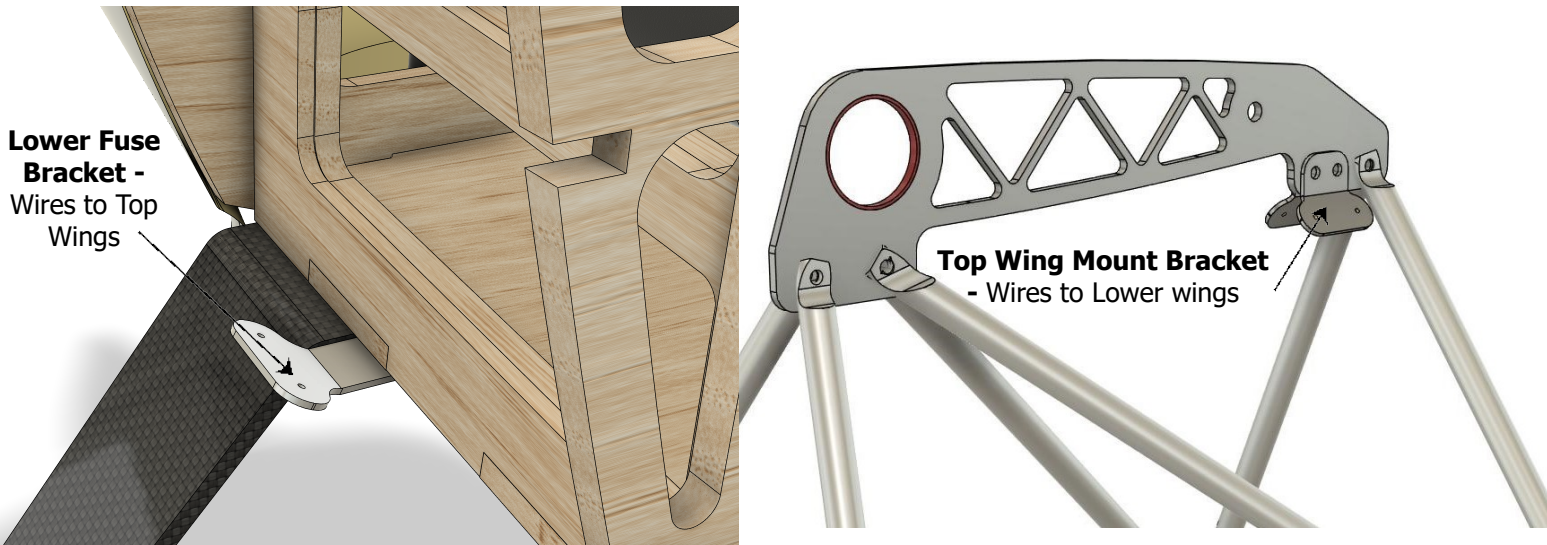


Upper Wing Connection



## **Main Wing Flying Wire Setup (Cont.)**

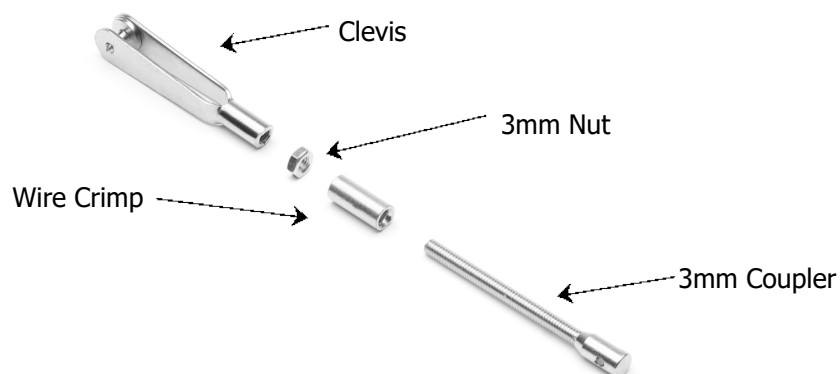
1. Next step is to run **2x** Stainless steel Wire lengths from the Lower Fuselage mount Point to the upper wing quick release assembly and secure with crimps, Repeat to other side.
2. Then run another **2x** Stainless steel Wire lengths from the Top Wing mount point to the Lower wing quick release assembly and secure with crimps, Then repeat to the other side.
3. Now your Flying wire quick release assemblies are ready to connect to the wing mounts and Adjust the tension as required.



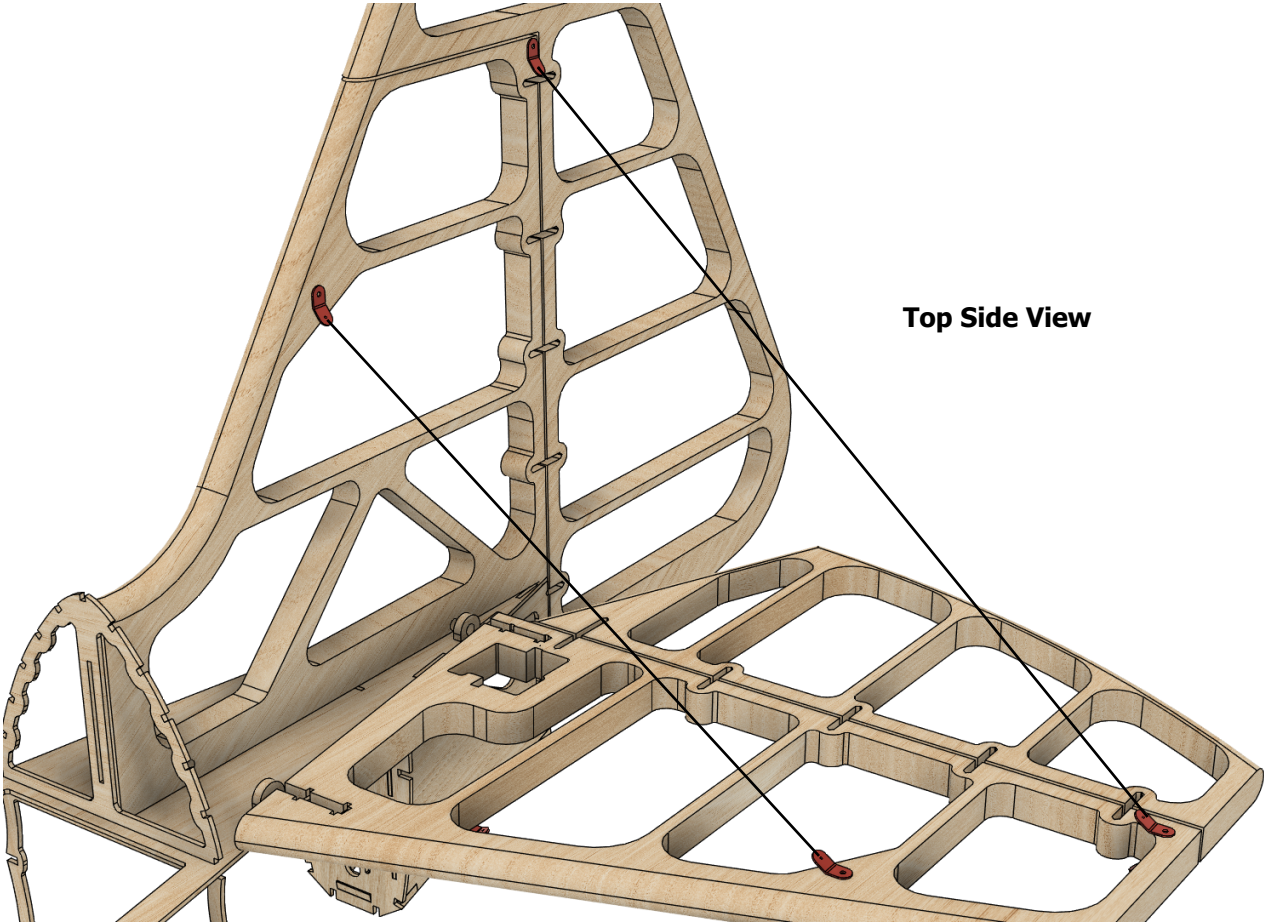
## **Tailplane Rigging**

1. First step is to bend all the Oval brackets in the centre to around 40 degrees, Once done fit to the surface using M3 bolts and Nyloc nuts to the Vertical and Horizontal Stabilisers as indicated in the build manual - Followed by the Lower tail bracket the bolts to the Tail gear plate.
2. Then connect and crimp the wires to the Vertical fin and the lower tail brackets
3. Assemble the **8x** Rigging sets as below (Part#KAV6254/10)
4. Finally Add the Wire from the Bracket to the Couplers and fix with the Crimp, Now they are ready to fit to the Surface and adjust the tension as required.

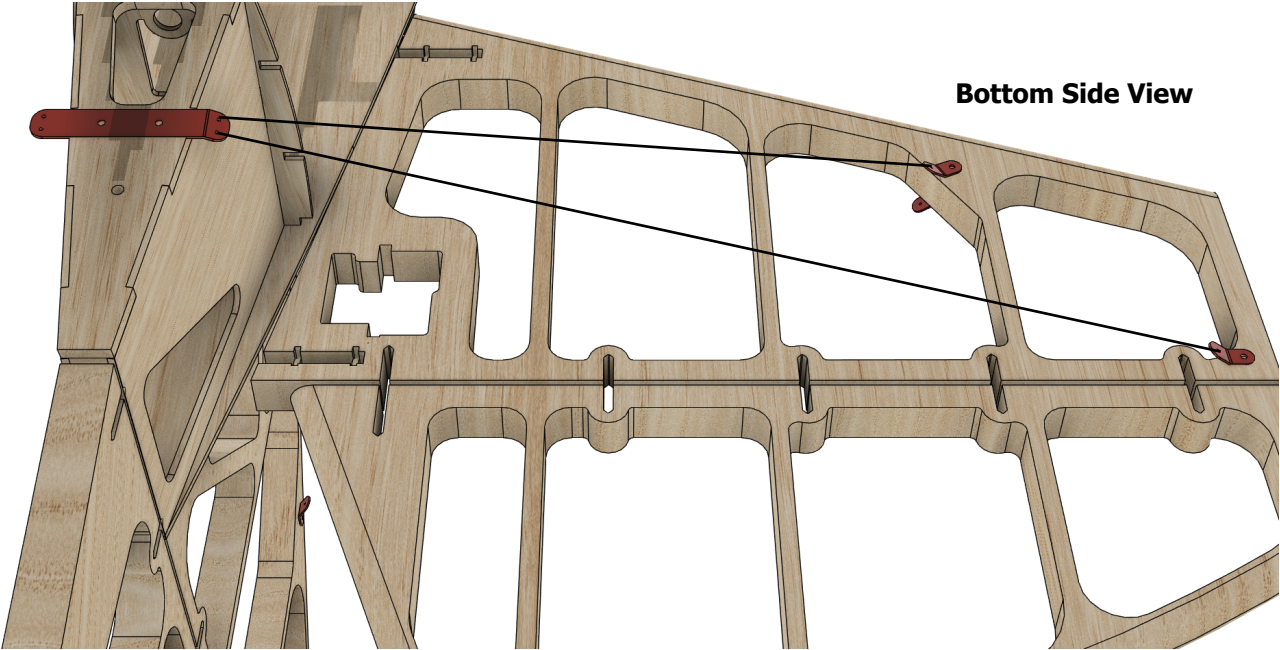
*Note: You can elect to use Clevis assembly's at each end of the flying wire if desired, However it is not required.*



**Tailplane Rigging (Cont.)**



**Top Side View**



**Bottom Side View**